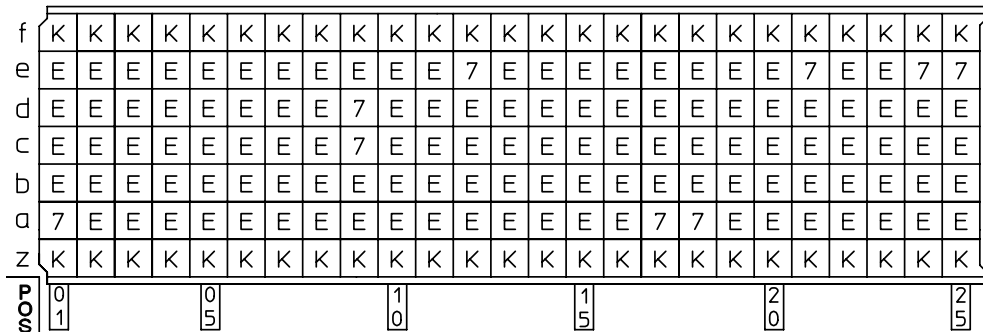


BS,C ,201843,424

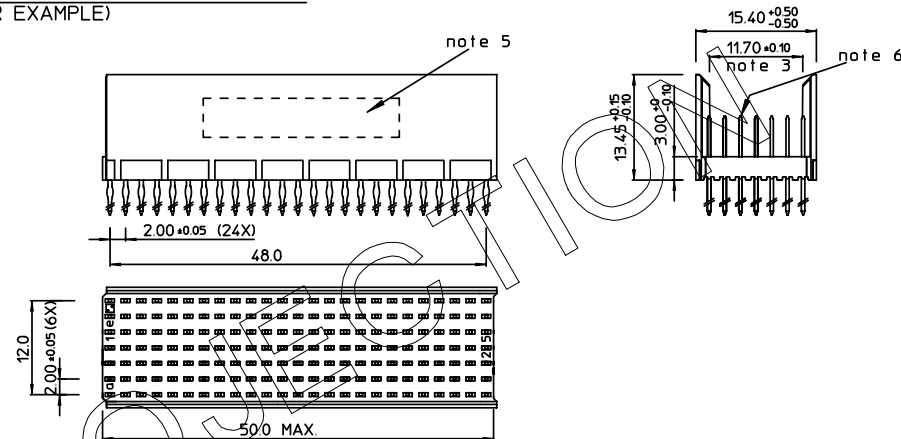
GEN. ST.	01	02	03	04	05	06	07	08	0D	50	60	70	80	90																	
INT. ST.	10	11	12	13	14	18	20	31	32	33	34	38	39	40	42	43	44	45	46	48	56	70	72	73	75	76	81	82	83	84	88

REV.	DATE	DESCRIPTION	BY	C'K'D'
A	2001-09-14	CONVERSION REVISION 01	KN	
B	2002-05-31	EC B20086	BVE	
C	2005-11-02	105-0212	ALEX B	BKP
D	2006-07-06	106-0097	VIVEK	BKP

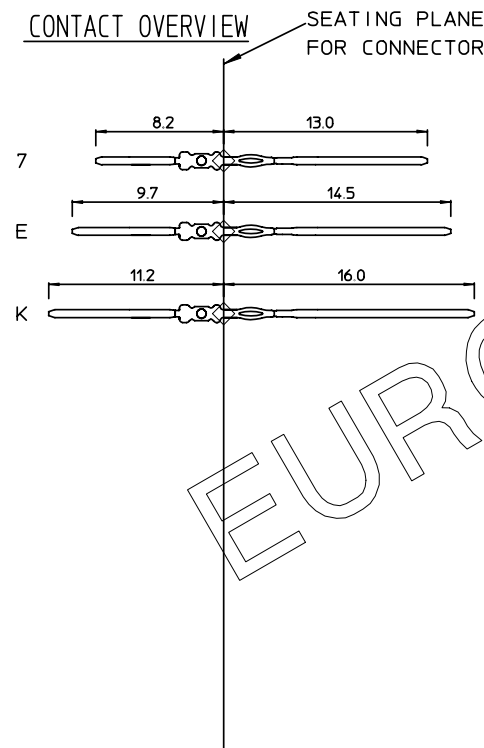
LOADING PATTERN MATING SIDE



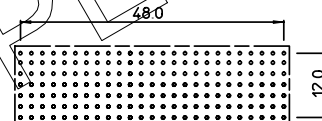
LOADED CONNECTOR ASSEMBLY (FOR EXAMPLE)



CONTACT OVERVIEW



LAY-OUT P.C.B.-HOLE



EUROPEAN PRO

LEAD FREE INDICATOR : LF = LEAD FREE (DIGIT 15 & 16)

HM2P08PMS124

PLATING CODE (DIGIT 13 AND 14)
(REF DWG No. BS.C ,201844.003)

NOTES:

1. THIS PRODUCT IS CSA APPROVED.
2. THIS PRODUCT IS UL RECOGNIZED.
3. MEASURED AT THE BOTTOM.
4. MATERIAL CONTACT: PHOSPHORBRONZE
HOUSING: CREAM WHITE GLASSFILLED POLYESTER UL-94V0
5. CONNECTOR PRINTED WITH P/N AND DATE CODE.
6. FOR ACTUAL CONTACT LOADINGS, SEE LOADING PATTERN MATING SIDE.
7. SHAPE OF CONNECTOR HOUSING CAN ALTER DEPENDING ON PRODUCTION LOCATION.
8. THE PRODUCT (LF) MEETS EUROPEAN UNION DIRECTIVES AND OTHER COUNTRY REGULATIONS AS DESCRIBED IN GS-22-008
9. FOR RECOMMENDED PTH DIMENSIONS REFER DRAWING : BS.A ,201572.001

1DEC ±0.2 2DEC ±0.1 ANGLES ±1°	APPR.	DATE	SIGN.	MPACS 5+2R STR HDR SG PF ASSY TYPE B				
	DRAFT	2000-10-11	M. Fret	CAT. No. HM2P08PMS124----				
WE RESERVE THE RIGHT TO CHANGE DIMENSIONS OR REQUIREMENTS WITHOUT PRIOR NOTICE. ALL DIMENSIONS IN MM	CHECKED			FCI www.fciconnect.com <table border="1" style="float: right;"> <tr> <th colspan="2">SCALE</th> </tr> <tr> <td></td> <td></td> </tr> </table>	SCALE			
	SCALE							
PROD_MGR								
PR_ENG_MGR								
PR_MGT_MGR				REFERENCES BS,C ,201843,424 DRAWING No. CUSTOMER DRAWING REVISION				



PDM: Rev:D

STATUS: Released Printed: Dec 01 2007